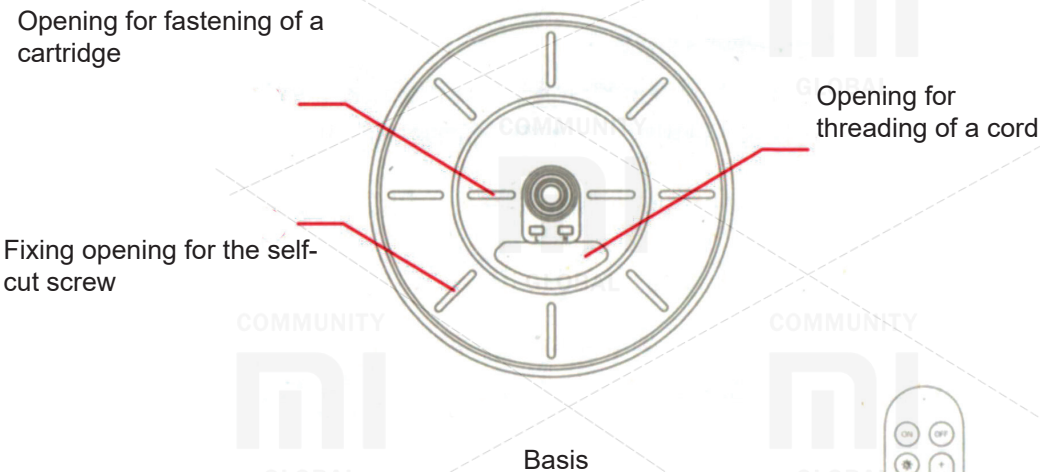
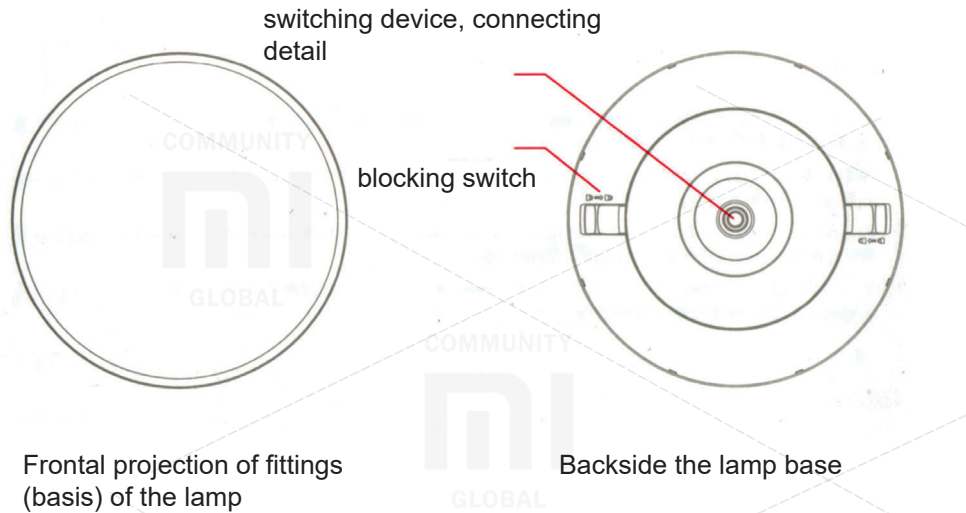
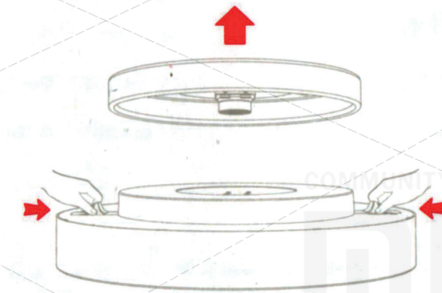


Yeelight Smart LED Ceiling Light

Installation direction



1. Open packaging, get the ceiling lamp, shift inside the blocking switch, remove a support.

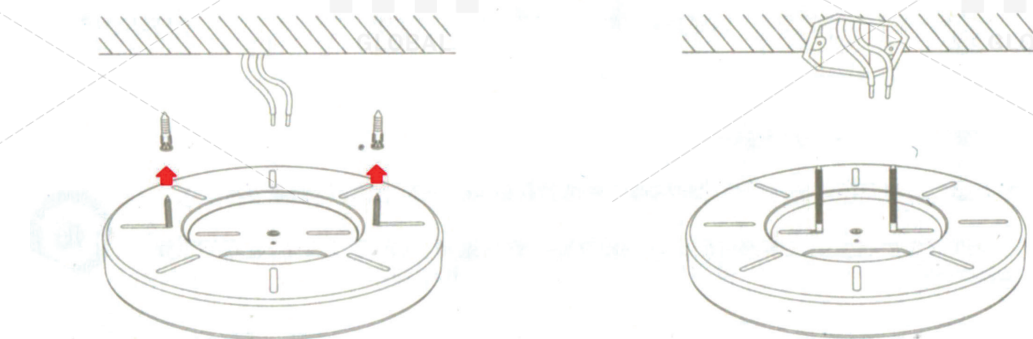


Attention! In order to avoid defeat by an electric current before installation it is necessary to disconnect power supply, to set step by step accurately according to the instruction. The wrong installation can lead to falling, the fire, defeat by current and to other accidents.

2. Fixing of the basis

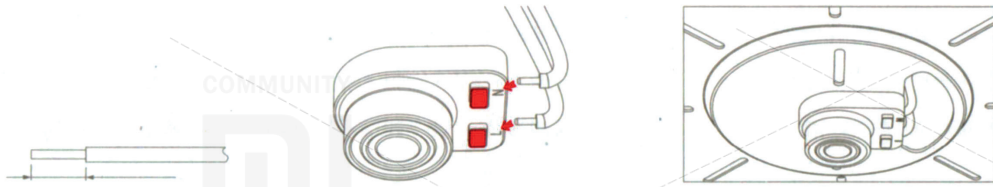
Way a: to pass a cord of food through an opening for a cord, using the self-cut screw to fix the basis on a ceiling, to be convinced that the basis is reliably fixed. (The recommended way).

Way b: Check integrity of two knots of fastening of a connecting box of the lamp, after check to stretch a cord through an opening for a cord, using metric screws to fix the basis with a connecting box on a ceiling, to be convinced that the basis is reliably fixed.



3. Connection of a cord of food.

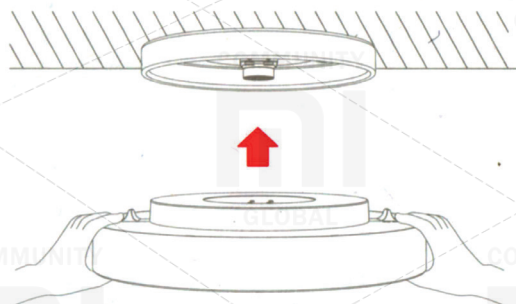
According to requirements of the following scheme, it is necessary to remove isolation from a wire on 8-9 mm.



Insert a cord of food into an opening of a terminal block (before pulling out a cord, it is necessary to press the red button on a terminal block, and after that to pull out him).

Connect a cord of food, as shown in the picture, to check reliability of connection.

4. With both hands take the lamp from two parties, without pressing a luminous surface, to direct to the basis, to slightly push both parties of the lamp into the basis, after click installation of the lamp is complete. Before unclenching hands, it is necessary to be convinced that latches on both sides of the lamp completely became on places.



Remote control

(The remote control isn't included in a basic equipment, it needs to be purchased separately)

For this purpose, to adjust connection of the panel with the ceiling Yeelight LED lamp for use them in one room, it is necessary to turn on the ceiling lamp, within 60 seconds, at the same time press the OFF+M keys on the remote control and at once to release. The blinking indicator lamp on the panel means that there is a connection installation. Wait until the lamp starts blinking, it means that installation of connection is complete.

Description of functions



To turn on the light



To turn off the light



Control of color temperature



Night lamp

Intellectual management



1. Scan a QR code or load the Yeelight mobile application;
 2. The ceiling lamp has to be in the included state, perform operations being guided by application operation manuals.
- Make sure that there is an access to WI-FI network and continuous connection to the Internet.

These goods are compatible to the intellectual Mijia platform, it can be managed through the Mijia application, support the MIUI system, can have access and to be interconnected also with other products of the intellectual Mijia platform.

Restoration of factory settings

Using the food switch, to continuously switch on and off light of 5 times (to switch on and off every time for 2 seconds), in 5 seconds the lamp will automatically reboot and factory settings will be restored.

* if the ceiling lamp is used in the new network environment, it is necessary to restore factory settings, and after that anew to adjust network connection.

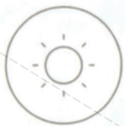
Parameters

Product model: YLXD01YL;
Range of color temperature: 2700K - 6500K;
Working temperature: -10 - +40 °C;
Range of working humidity: 0% - 85% of RH;
Useful life: about 25000 hours;
Power factor: 0.9;
Rated power: 28 W;
Rated power consumption: 220V - 50/60 Hz 0.127 A;
Supports: Android 4.4 & iOS 8.0 and subsequent versions;
Wireless connection: WI-FI IEEE of 802.11 b/g/n 2.4 GHz, Bluetooth 4.2 BLE.

Features of a product



Adjustment of color temperature



Brightness control



Night lamp - moonlight



Color rendition coefficient



Protection against dust



Intellectual location



Management via the mobile phone



Software update

Special indications for safety measures

1. Before use be convinced that voltage corresponds to the working tension of this product; use of improper tension can lead to damage of a product or potentially dangerous situation;
2. it is impossible to change LED modules, it is impossible to sort a product independently;
3. in operating time the lamp can make heat, it is necessary to support convection of air for a thermolysis.

Hazardous substances

Part name	Harmful substances					
	Pb	Hg	Cd	Cr+	PBBE	PBBDE
LED lamp	X	0	0	0	0	0
Screw	0	0	0	0	0	0
Dowel	0	0	0	0	0	0
Basis	0	0	0	0	0	0
Package box	0	0	0	0	0	0
Remote control	0	0	0	0	0	0

This table is made on the basis of regulations of SJ/T 11364

O: designation means that the content of harmful substance in this detail below the restrictions specified in regulations of GB/T 26572
X: designation means that the content of harmful substance in this detail exceeds the restrictions specified in regulations of GB/T 26572