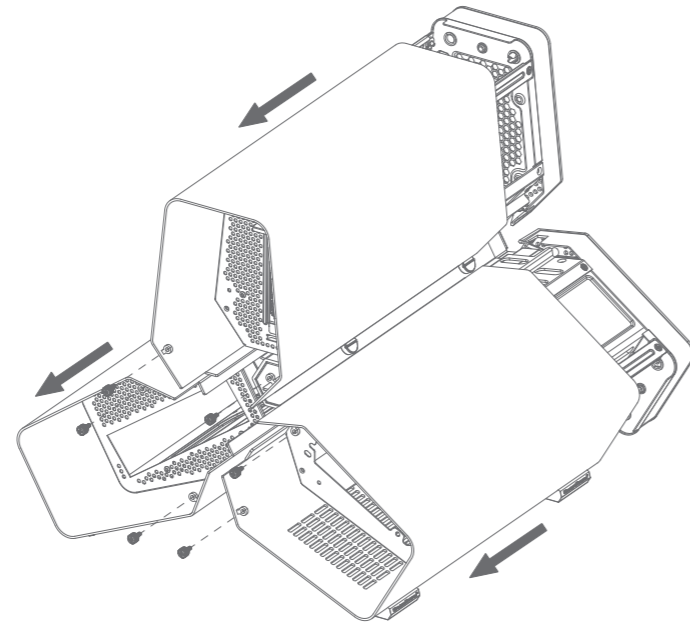


TRISTELLAR

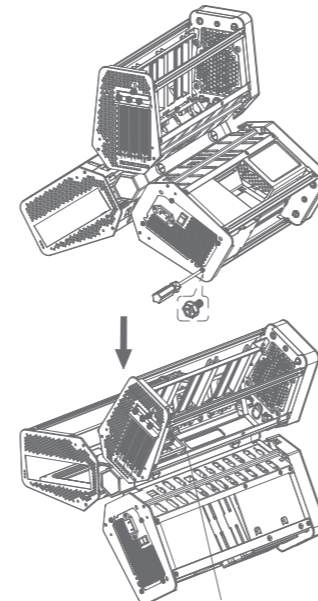
USER GUIDE

www.gamerstorm.com

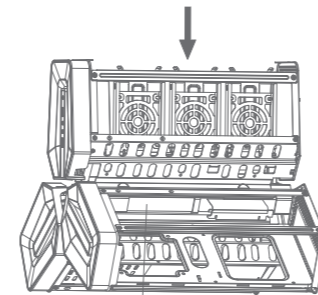
1. Remove the Cover



2. Power Supply Installation

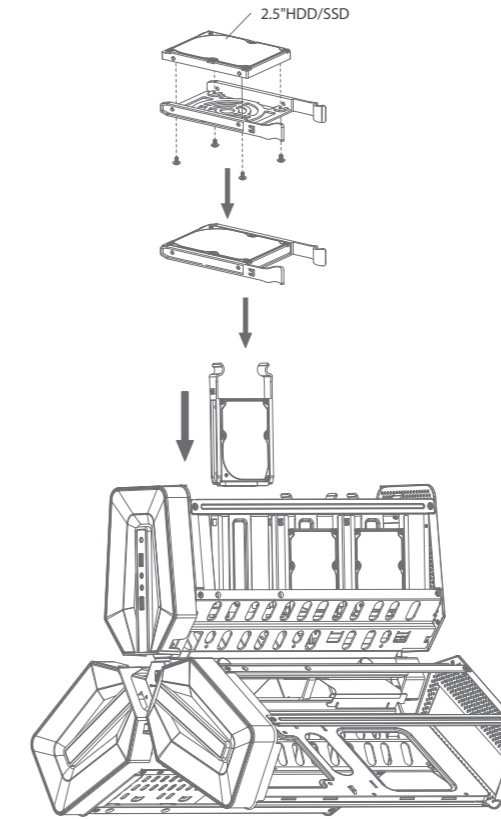


a. Pull the power cord for the Video Card from this opening



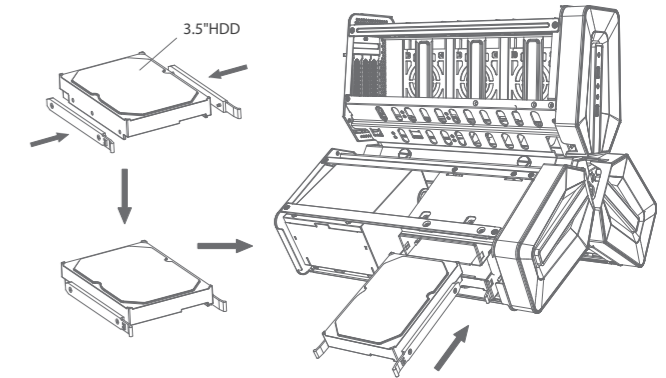
b. Pull the 24-Pin&CPU power cord for the Motherboard from this opening

3. HDD Installation

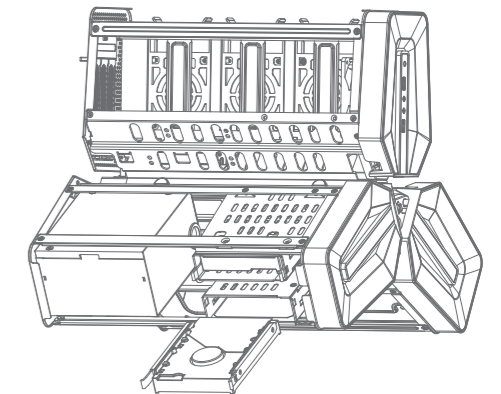


Well note: the installation orientation MUST follow the above drawing

For the Upper 3.5" HDD Drive Bay:

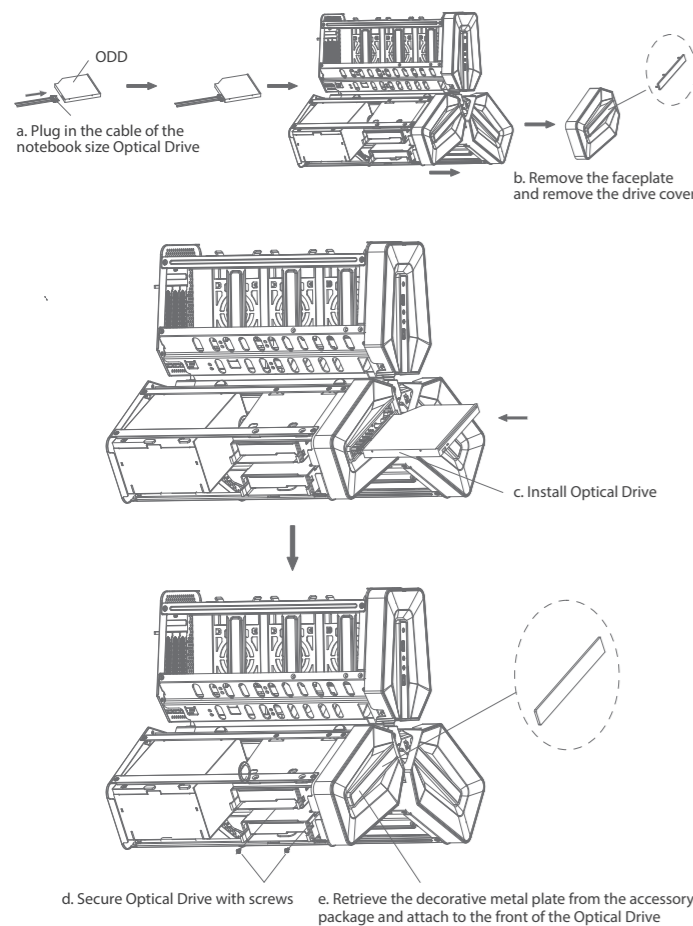


For the Lower 3.5" HDD Drive Bay:



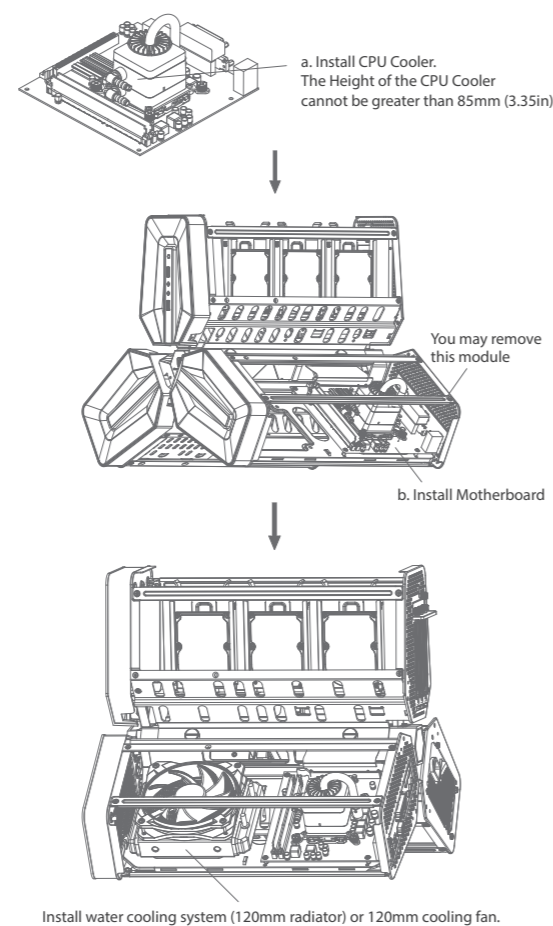
Well note: the installation orientation MUST follow the above drawing

4. Optical Drive Installation

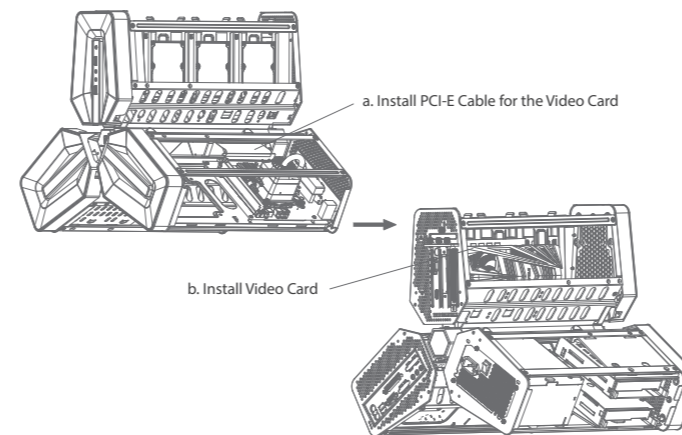


5. Motherboard Installation

Motherboard Compatible: MINI-ITX



6. Video card Installation



8. Cable Connection

	Panel Connector	High Definition Audio (Azalia)	USB 2.0 Connector	USB 3.0 Connector
Motherboard	IDELED+ <input type="checkbox"/> PLED+ IDELED- <input type="checkbox"/> PLED- Ground <input type="checkbox"/> PWR Reset <input type="checkbox"/> GND NC <input type="checkbox"/> No Pin	MIC2_L <input type="checkbox"/> AGND MIC2_R <input type="checkbox"/> PRESENSE# HP_R <input type="checkbox"/> MIC2_JD Jack_Sense <input type="checkbox"/> No Pin HP_L <input type="checkbox"/> HP_HD	USB+5V <input type="checkbox"/> USB+5V USB_P- <input type="checkbox"/> USB_P- USB_P+ <input type="checkbox"/> USB_P+ GND <input type="checkbox"/> GND No Pin <input type="checkbox"/> NC	IntA_P2_D+ <input type="checkbox"/> ID IntA_P2_D- <input type="checkbox"/> IntA_P1_D+ GND <input type="checkbox"/> IntA_P1_D- IntA_P2_SSTX+ <input type="checkbox"/> GND IntA_P2_SSTX- <input type="checkbox"/> IntA_P1_SSTX+ GND <input type="checkbox"/> IntA_P1_SSTX- IntA_P2_SSRX+ <input type="checkbox"/> GND IntA_P2_SSRX- <input type="checkbox"/> IntA_P1_SSRX+ VBUS <input type="checkbox"/> IntA_P1_SSRX- VBUS
	Panel Connector POWER SW <input type="checkbox"/> PWR <input type="checkbox"/> GND RESET SW <input type="checkbox"/> Ground <input type="checkbox"/> Reset H.D.D LED <input type="checkbox"/> IDELED+ <input type="checkbox"/> IDELED- POW LED- <input type="checkbox"/> PLED- POW LED+ <input type="checkbox"/> PLED+	HD Audio Connector 	USB 2.0 Connector 	USB 3.0 Connector

7. I/O - Outside Control

