

# USER MANUAL

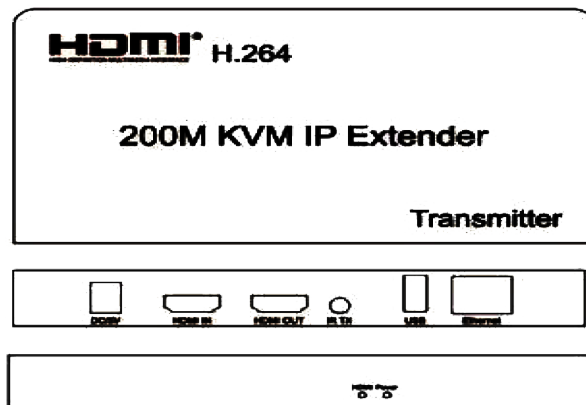
## HDMI 200M KVM IP EXTENDER

p.n.500246



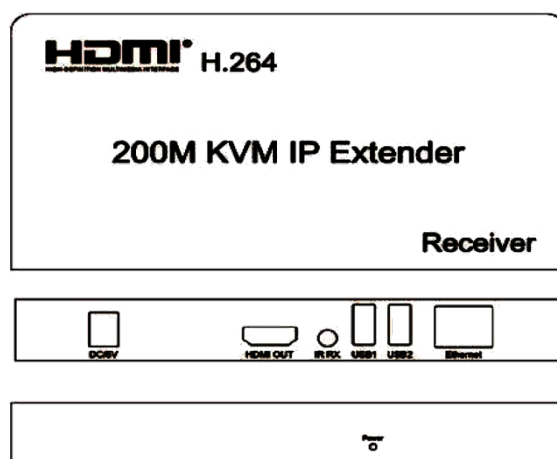
## Physical interface diagram

### Transmitter



Port	Description
DC/5V	5V power supply for the Transmitter
HDMI - IN	HDMI input ,connect HDMI sink source
HDMI - OUT	HDMI output, connect HDMI sink device
IR-TX	Connect IR transmitter
USB	USB output, connect computer
Ethernet	Network interface by cat5e/6

### Receiver



Port	Description
DC/5V	5V power supply for the Transmitter
HDMI - OUT	HDMI output, connect HDMI sink device
IR-TX	Connect IR receiver
USB	USB input, mouse/ keyboard input
Ethernet	Network interface by cat5e/6

## Connection and operation

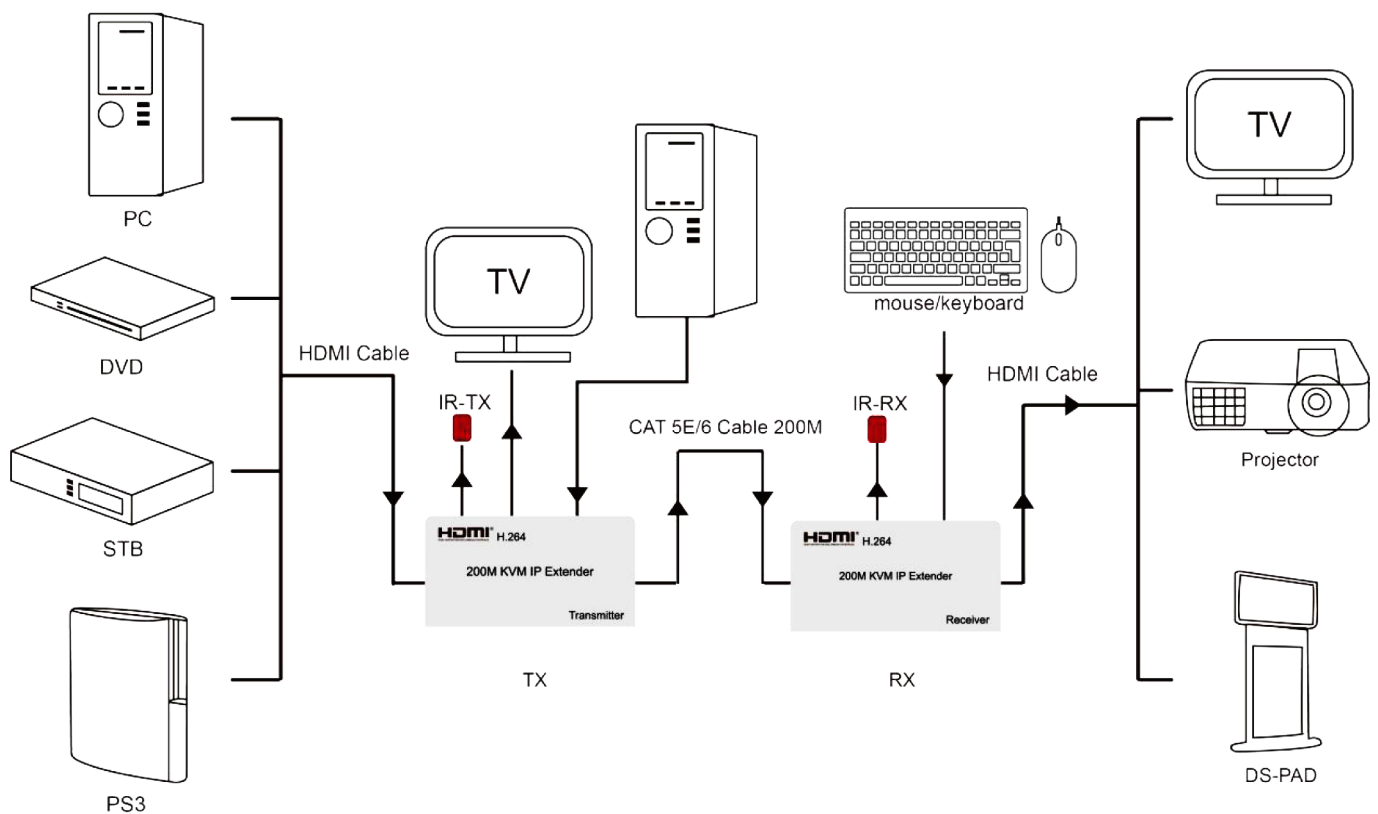
- 1) Connect the HDMI source (such as DVD, PS3, STB ) to the “HDMI IN” of transmitter by HDMI cable.
- 2) Connect the “HDMI out” of Receiver to HDTV display by HDMI cable.
- 3) Connect the Transmitter and Receiver with one cat5e/6 cable (recommend).the furthest distance is 200M.
- 4) Connect the “IR receiver “into “IR-RX” port on receiver, and “IR transmitter ” into the “IR-TX” on transmitter, and make sure the IR transmitter aim at IR port of the source.
- 5) Plug the mouse and keyboard into the USB port of the receiver, and connect the USB port of the transmitter with the computer if you need the KVM control function.
- 6) Connect two pieces of 5V power supply to the transmitter and receiver, and power on the HDTV display and HDMI source

## Application scenario

The Extender is widely used in audio-visual conferences, command and control centers, ticketing platforms, home theaters, multimedia teaching, conference systems and other places

## Application diagrams

### Point to Point application



# Point to Multipoint application

