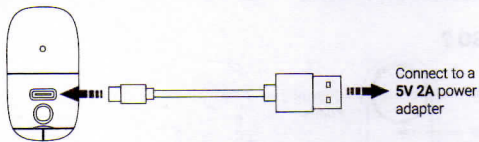


Insta360 GO 2

QUICKSTART GUIDE 快速入门指南

English · 简体中文 · Deutsch · Français · Italiano · Español
Русский · Português · 日本語 · 한국어 · 繁體中文 · العربية

■ Connect the included charge cable to the Charge Case to charge it.



2 Downloading the App & Activating

Step 1: Scan the QR code (<https://www.insta360.com/download/insta360-go2>) or search "Insta360" in the App Store or other Android app stores to download the Insta360 app.



Step 2: Turn on your mobile device's WiFi. Then long press the Action Button for 1 second to power on GO 2.

Step 3: Open the Insta360 app, tap the camera icon at the bottom of the app homepage, swipe until you see GO 2 and tap "Connect Now". Select the device you want to connect to and follow the onscreen instructions to complete the connection. The name of your camera is "GO 2 * * * * *" by default, where * * * * * is the last six digits of the serial number on the box your GO 2 came in. **The first time you connect to GO 2, please single press its Action Button to confirm your connection.**

Step 4: After successfully connecting the camera, follow the app prompts to activate your camera. The app will prompt you to update the firmware if there is a new version available. Please follow the on-screen prompts to update the firmware of GO 2 and the Charge Case.

3 Shooting

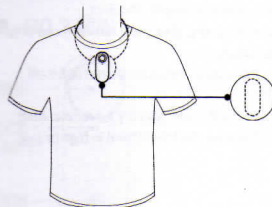
Refer to the "Button Instructions" card included in the box for instructions on how to use GO 2's Action Button and Charge Case buttons. You can customize the Action Button's basic functions to your preference in the app. For more product information, visit: <https://www.insta360.com/support/product-support>

4 Previewing via the App

After shooting, connect your GO 2 to the Insta360 app and go to the Album page to view your clips. You can also take photos or videos via the app and preview your shot in real-time.

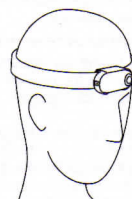
* **Note:** As system files and cache take up some memory, the actual available storage space will be slightly less than the total memory.

5 Mounting GO 2



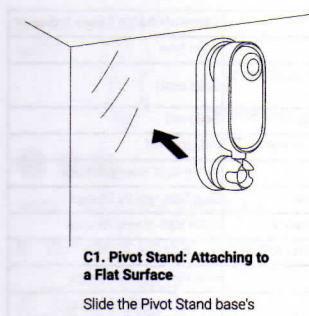
A. Magnet Pendant

The Magnet Pendant should be worn underneath your shirt with the diagram facing out. Place GO 2 over your shirt so it snaps on.



B. Easy Clip

(Place GO 2 into the Easy Clip so it snaps into place. Rotate the camera frame to adjust the shooting angle. It's suggested to adjust the angle slightly downward.)



C1. Pivot Stand: Attaching to a Flat Surface

Slide the Pivot Stand base's cover down to remove it, then stick the Pivot Stand onto a clean and flat surface.



C2. Pivot Stand: Handheld Use (For Underwater)

Rotate the camera frame out 180° and then hold the Pivot Stand's base to shoot.

6 Notes

• Accessories:

- ① GO 2 and its accessories contain small objects. Keep them out of children's reach to prevent swallowing.
- ② Avoid using all accessories in high-speed or high-intensity environments, otherwise your camera or accessories may fall off.
- ③ As thick clothing can weaken the magnetic force of the Magnet Pendant, please

do not use GO 2 with thick clothing and always test GO 2's stability before shooting.

- ④ If you wear a cardiac pacemaker, do not wear the Magnet Pendant.
- ⑤ When using the Pivot Stand, please attach it to **dry, clean and flat** surfaces only. Avoid attaching it to surfaces with strong vibrations.
- ⑥ Peel the Pivot Stand off surfaces from the edge of the base. Do not pull it off from the center.
- ⑦ If the Pivot Stand has lost stickiness, clean with water and dry for re-use. After use, place its original cover back on. Avoid sticking the Pivot Stand in high or low temperature environments.

• **Updating the firmware:**

- ① Before use, please update the firmware of GO 2 and the Charge Case.
- ② Before updating, ensure that both GO 2 and the Charge Case's remaining power is not less than 10%.
- ③ **How to update via your computer (U-disk mode):**
Step 1: Download the latest firmware from Insta360's official website.
Step 2: Use the included charge cable to connect the Charge Case (with GO 2 placed within) to your computer, and make sure both GO 2 and the Charge Case are powered on.
Step 3: Copy the "InstaGo2FW.pkg" file you've downloaded to your GO 2 directly. Delete the old ".pkg" file first if there is one.
Step 4: Disconnect the Charge Case from your computer and GO 2 will power off automatically. Close the Charge Case and open it again, then GO 2 will power on automatically and start updating the firmware with a slow-flashing cyan light. After finishing GO 2's firmware update, the Charge Case will start to update its firmware as well. Please keep the Charge Case open.
 ④ For more information on updating the firmware, visit: <https://onlinemanual.insta360.com/go2/en-us/camera/firmware>

• **Indicator status:**

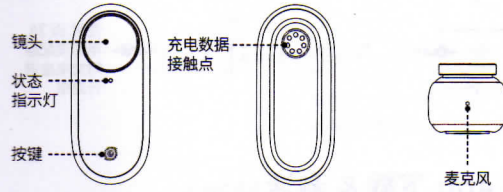
Camera/Charge Case Status	Camera/Charge Case's Indicator
Camera/Charge Case is powering on	Solid blue
Camera/Charge Case (with GO 2 connected) is in standby mode	Solid cyan
Camera/Charge Case is off and charging	Solid red
Camera/Charge Case is off and fully charged	Indicator off
Camera/Charge Case is recording	White light slowly flashes
Camera/Charge Case is in U-disk mode	Blue light rapidly flashes
Camera/Charge Case is updating firmware	Cyan light slowly flashes
Error Notices	
Storage error	Blue light rapidly flashes
GO 2 needs to cool down	Red light rapidly flashes

• **Bluetooth control via Charge Case:**

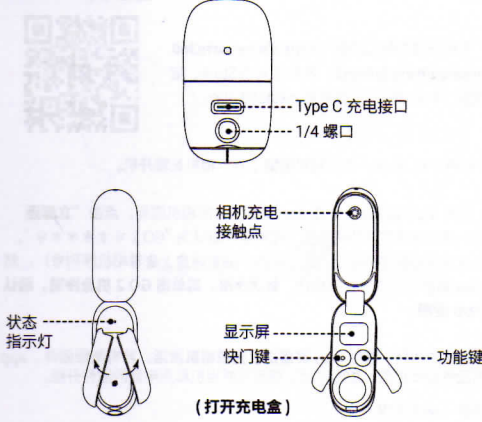
- ① By default, your GO 2 and the included Charge Case are automatically paired via Bluetooth. When you open the Charge Case, it will power on automatically and connect to the paired GO 2. Once your GO 2 and Charge Case are powered on, you can control GO 2 via the Charge Case.
- ② If you purchase a GO 2 or Charge Case separately, place your GO 2 into the Charge Case and power them on. They will automatically pair via Bluetooth.
- ③ The effective WiFi connection range and Bluetooth range is 33 feet (10 meters) in optimal conditions.

产品介绍

■ GO 2 相机



■ GO 2 充电盒



① 充电

使用前, 请先将相机和充电盒充满电。

■ GO 2 相机置入充电盒, 进行充电

